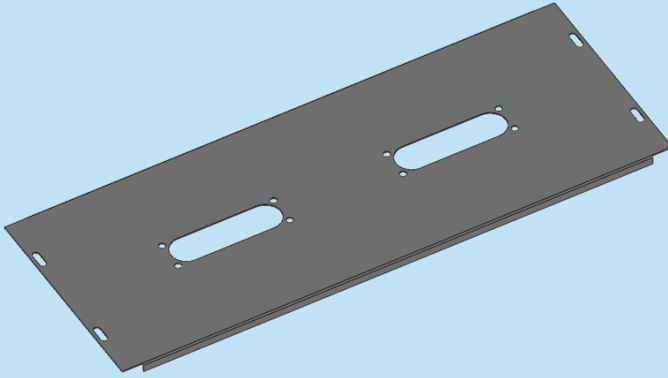
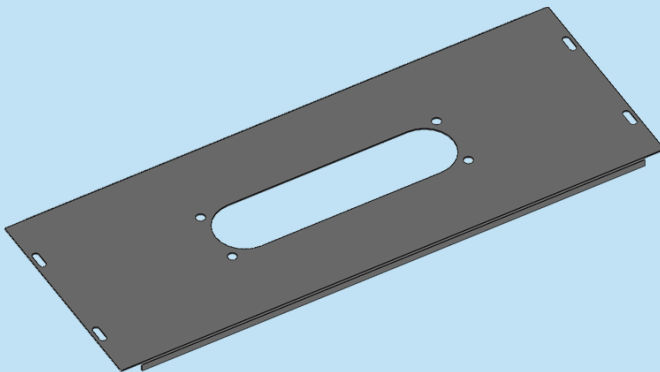


## ❖ CABLE ENTRY PLATE FOR CABLE GLAND FL13



ORDER NO Standard Duty Thickness 1.5mm	ORDER NO Heavy Duty Thickness 2.0mm	TYPE	DESCRIPTION	MODULE SIZE	DIMENSIONS (WxH)mm	QTY
830 410	830 411	CEPCGFL13 2M	Cable Entry Plate For Cable Gland FL13	2M	385x110mm	01
830 420	830 421	CEPCGFL13 3M	Cable Entry Plate For Cable Gland FL13	3M	605x110mm	01
830 430	830 431	CEPCGFL13 4M	Cable Entry Plate For Cable Gland FL13	4M	825x110mm	01
830 440	830 441	CEPCGFL13 5M	Cable Entry Plate For Cable Gland FL13	5M	1045x110mm	01

## ❖ CABLE ENTRY PLATE FOR CABLE GLAND FL21



ORDER NO Standard Duty Thickness 1.5mm	ORDER NO Heavy Duty Thickness 2.0mm	TYPE	DESCRIPTION	MODULE SIZE	DIMENSIONS (WxH)mm	QTY
830 450	830 451	CEPCGFL21 2M	Cable Entry Plate For Cable Gland FL21	2M	385x110	01
830 460	830 461	CEPCGFL21 3M	Cable Entry Plate For Cable Gland FL21	3M	605x110	01
830 470	830 471	CEPCGFL21 4M	Cable Entry Plate For Cable Gland FL21	4M	825x110	01
830 480	830 481	CEPCGFL21 5M	Cable Entry Plate For Cable Gland FL21	5M	1045x110	01